

# instruction for LED-control

## 1. Security instructions

Security  
instructions



**WARNING!**

Please follow the general security instructions for LEDs!

---

Protection  
regulations



**Attention!**

Please adhere to the general protection regulations for ESD!

---

## 2. Connection plan

### 2.1 Connection plan Master with remote control (MAF)

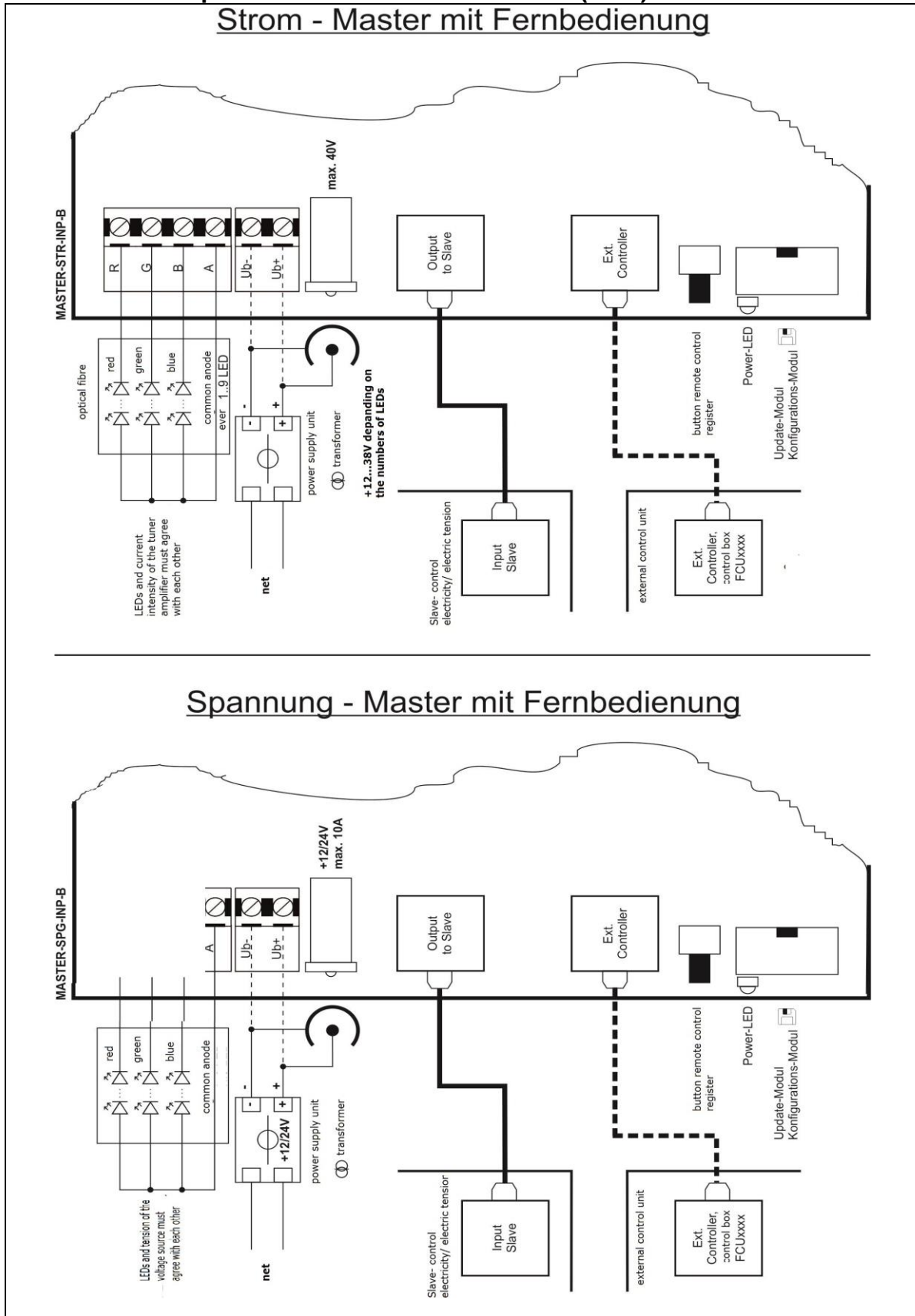
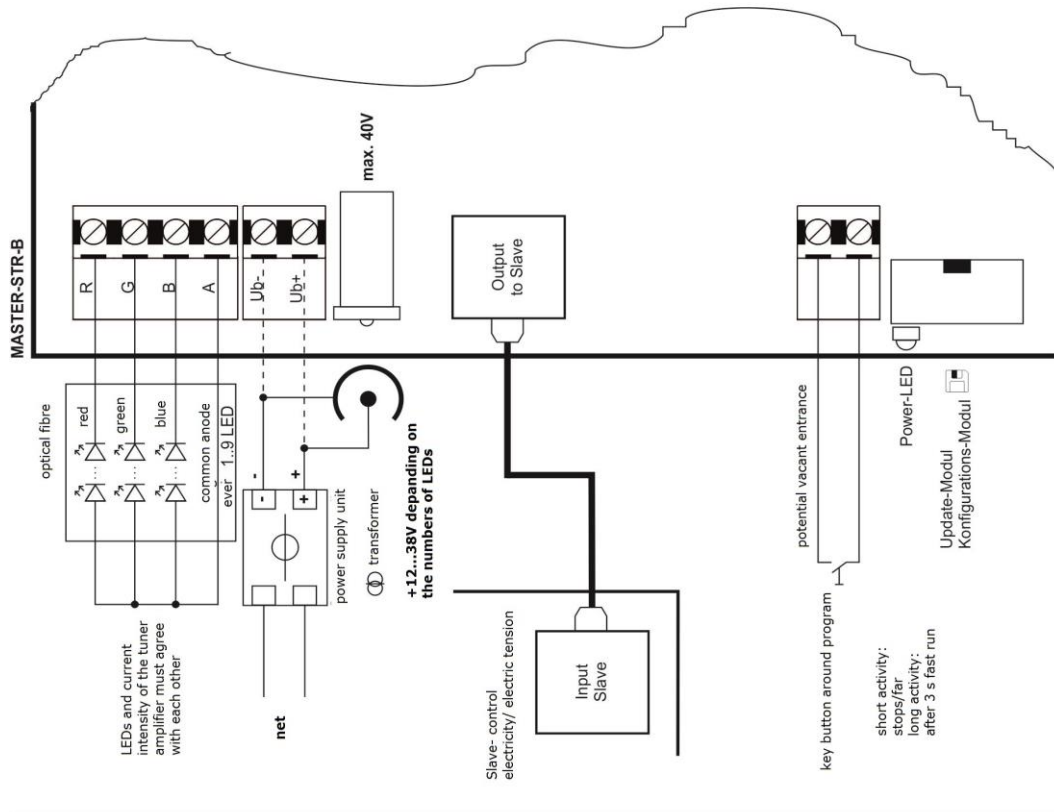


Abb. 1: Connection plan Master mit Fernbedienung

## 2.2 Connection plan Master

### Strom - Master



### Spannung - Master

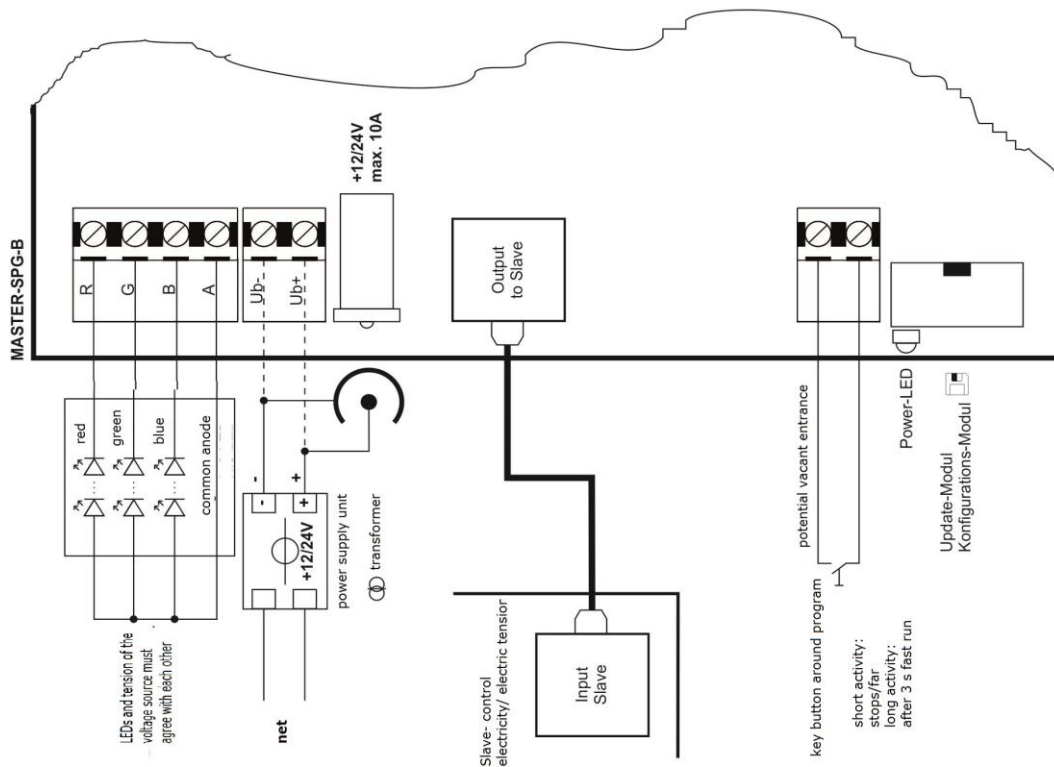
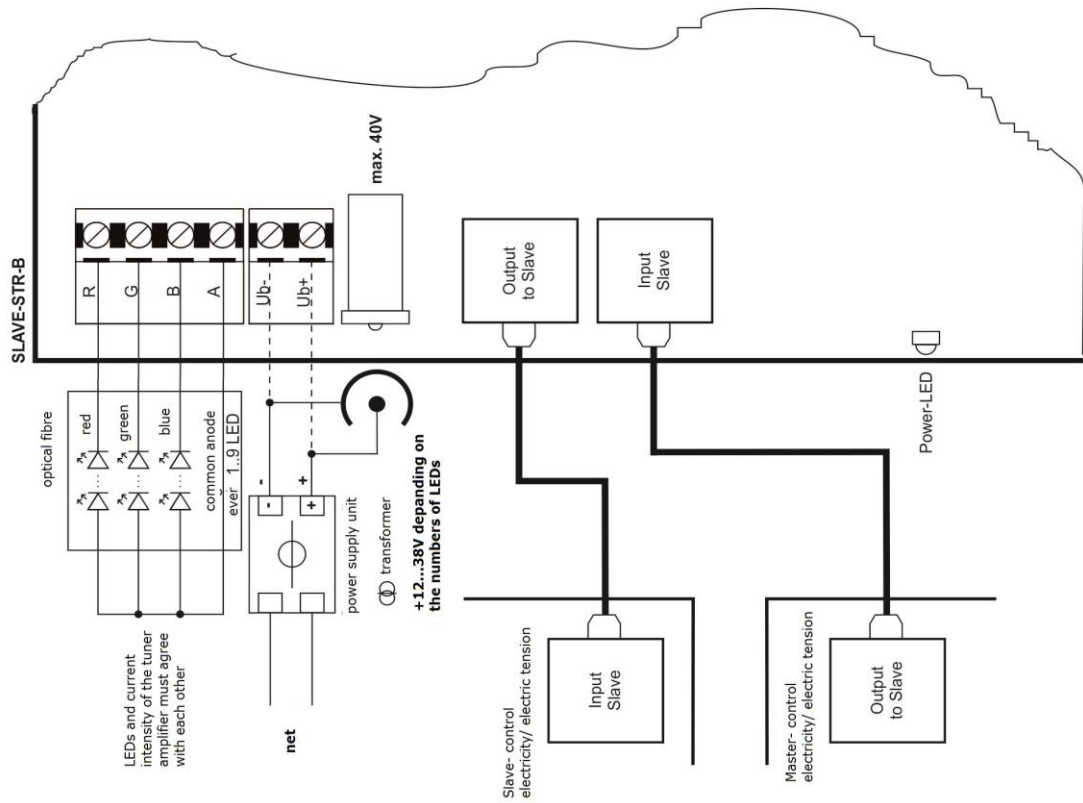


Abb. 2: Connection plan Master

### 2.3 Connection plan Slave

#### Strom - Slave



#### Spannung - Slave

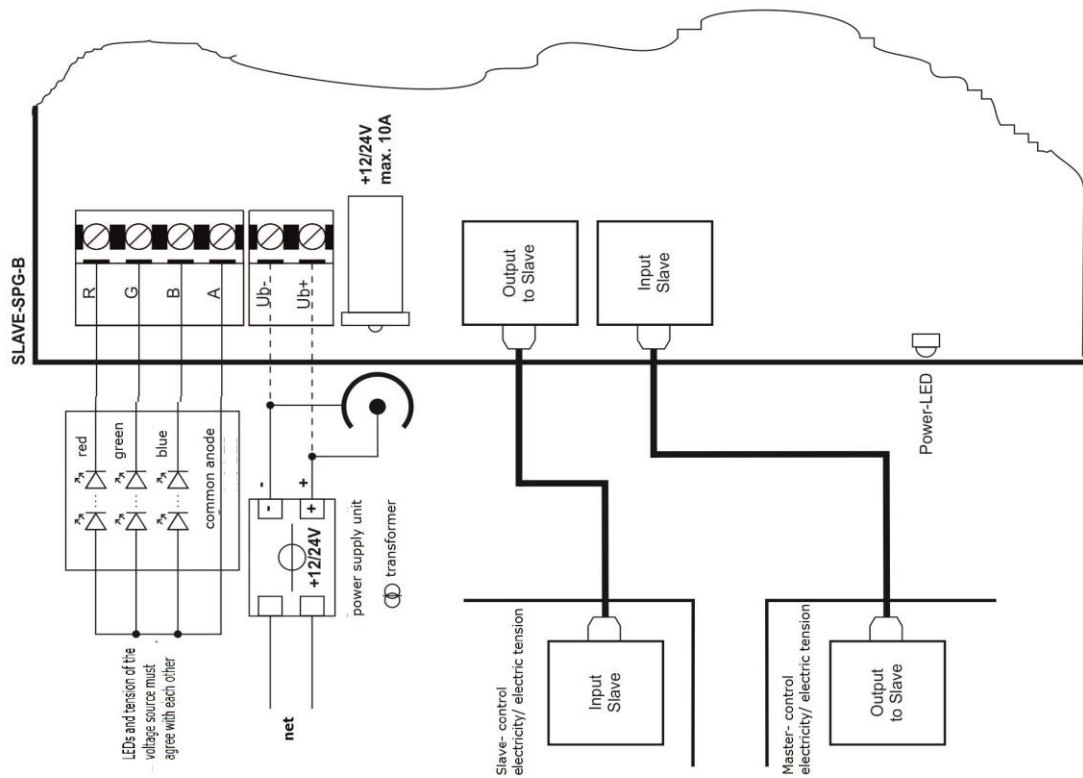


Abb. 3: Connection plan Master

## 2.4 Plan overview

Survey plan to the connection of  
FCU-control, Master and more Slave

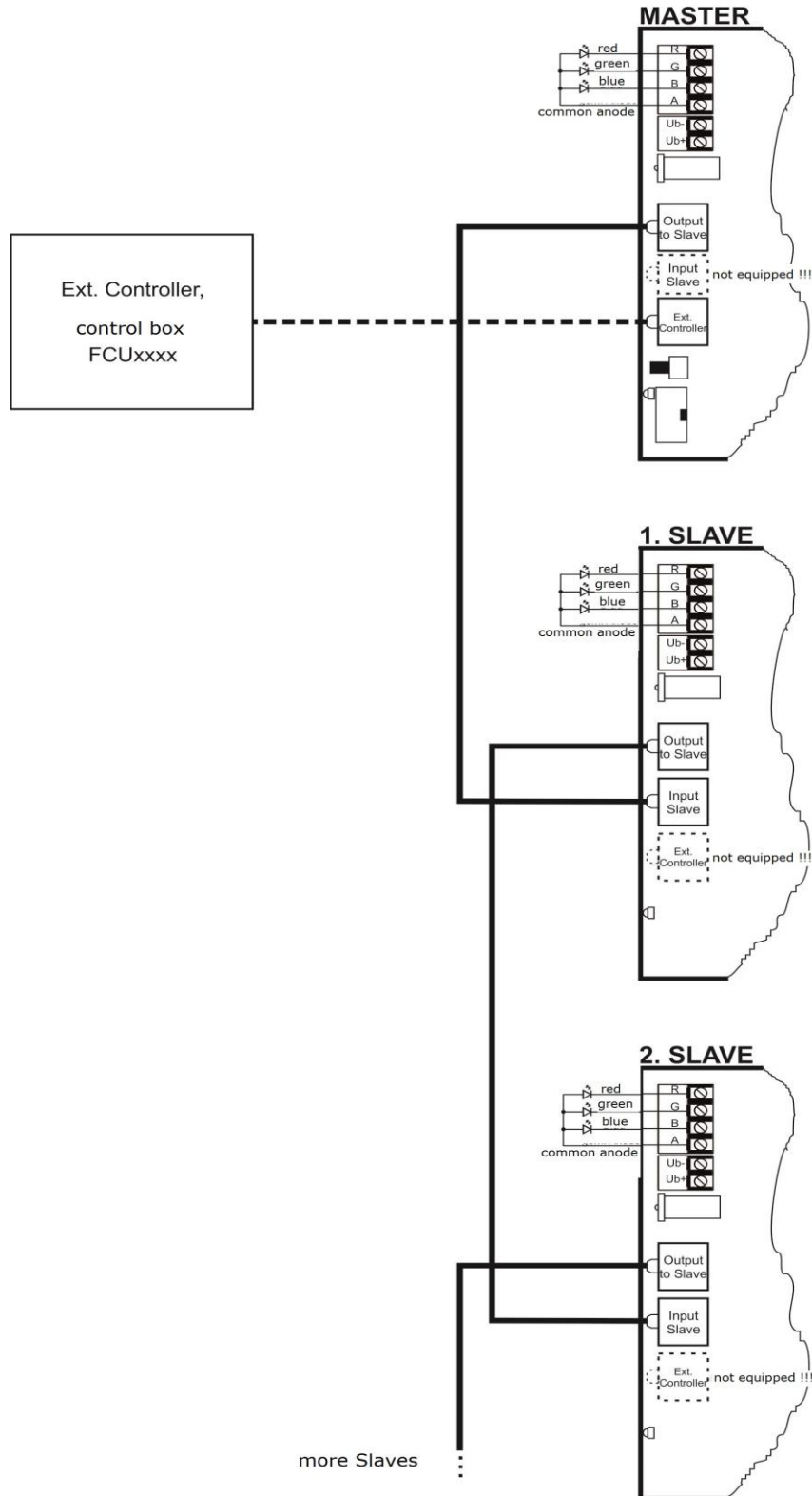


Abb. 4: Plan overview