

Helliflex „Midi“ COB

picture:



Part number: 04.05.01.3000.COBS.WW.TR. IP67 / 04.05.01.5000.COBS.WW.TR. IP67

Brief description: flexible LED encapsulated in silicone for self-shortening Fig.1 (p.3)

Article data:

Mounting technique: recessed mounting
Mounting possible with retaining clips

Outer diameter: 12x 5.5 mm (W* H)

Length: 3.000 mm / 5.000 mm

Material: silicone casting compound cloudy

Protection class: IP65

Protection class: III

Operating technology LED:

LED: COB-LED

Power: 10,00 W /LFM

Interface of LEDs: 50 mm

Lumen: 840 lumen/ LFM 84 lumen / W

Color: 2,700 K

Color rendering: CRI > 90

Beam angle: 120

Operating temperature: -25°C - +105°C

Protection class: IP67

Voltage: 24V

Cable length: 300 mm at both ends of the led tape

Cable assignment: Red =+ pole / Black = - pole

Number of illuminants per meter: 480 STK

Smallest bending radius: 40 mm

Adhesice tape: TESA 4965 applied on the back side

Additional products:

Mounting rail: 16.80 x 5.23 x 2,000 mm Fig. 2
Material: EN AW-6060T66/AlMgSi natural anodized aluminium
Item number: 4.MONT.2000.RGB/COBWW

Retaining clips without mounting profile: 26x10mm Fig. 3
Material: Nylon heat resistant up to 150°C
Item number: 01.HAL.HELI.MID.COB.OA
Note: including 2 pcs. Stainless steel pan head screws3
Fit a bracket every 500 mm starting at the cable inlet

Retaining clips with mounting profile: 29x11mm Fig.4
Material: Nylon heat-resistant up to 150°C
Item number: 01.HAL.HELI.MID.RGB.COBWW.ALU
Note: including 2 pcs. pan head screws made of stainless steel3
Fit a bracket every 500 mm starting at the cable inlet

Customs tariff number: 94054039

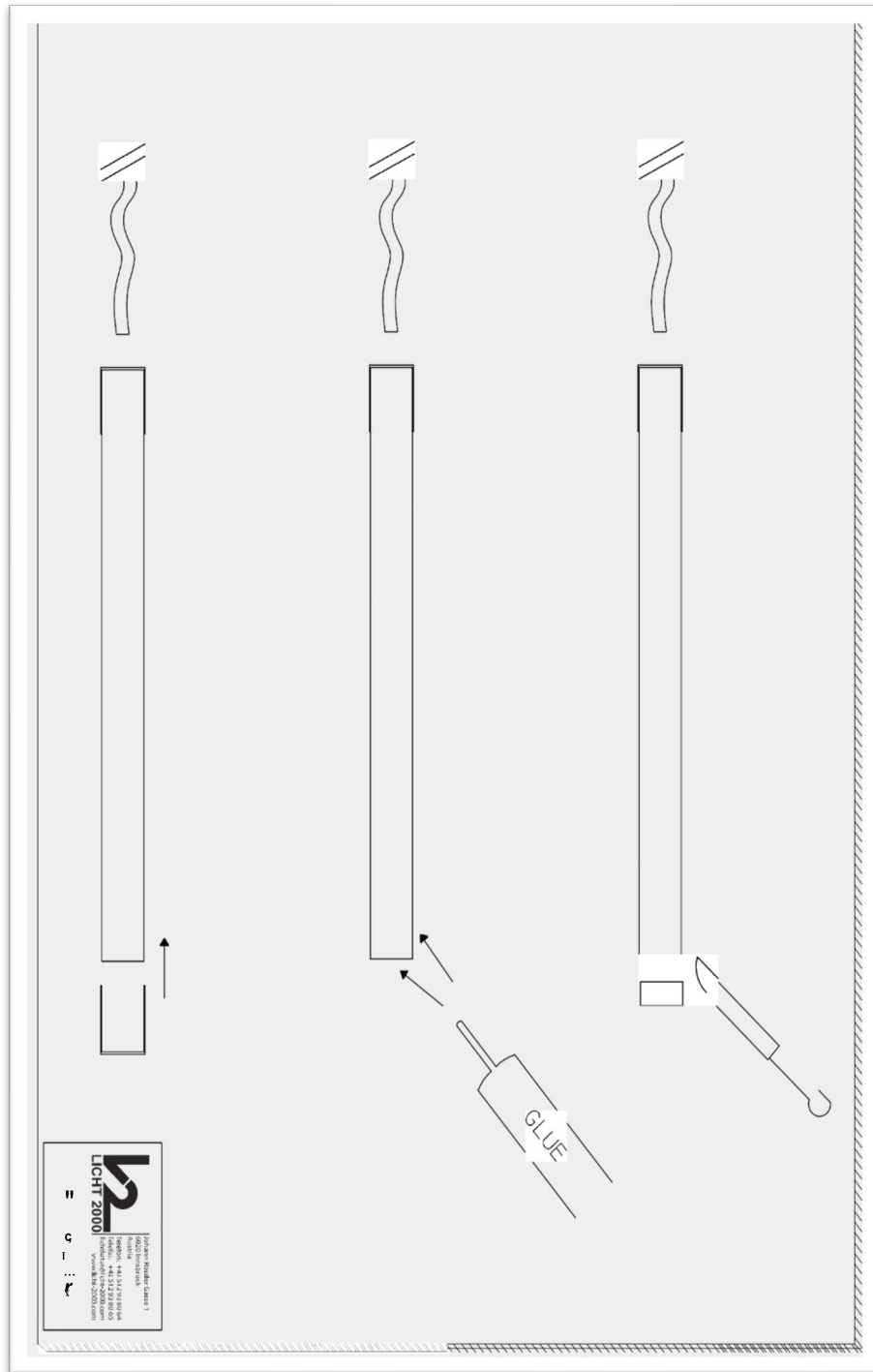
Weight information: 0,350 kg

Packaging note: incl. 3 STK end cap
Incl. 15 pcs. fixing clips and 30 pcs. screws
Incl. 2 STK connection cables 30 cm long

disposal: The product must not be disposed of with household waste. You are required to dispose of such waste electrical equipment separately. Please inform yourself at your local authority about the possibilities of regulated disposal. By disposing of the equipment separately, you are sending it for recycling or other forms of reuse. In doing so, you will help to prevent the release of potentially harmful substances into the environment.

note: Due to the complex manufacturing process of light emitting diodes the typical values given for the technical LED parameters are purely statistical and do not necessarily correspond to the actual the actual technical parameters of each individual product which may deviate from the typical value.

FIG.1



note: On our homepage you will find a mounting video for the correct shortening and installation of the flexible LED variants

FIG.2

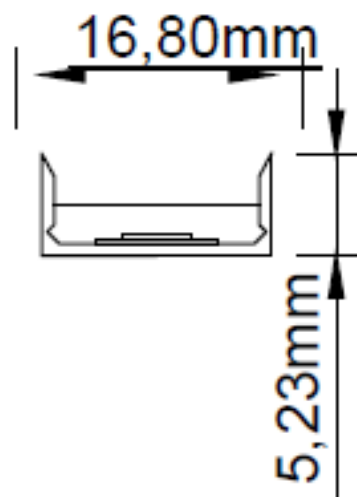


FIG.3

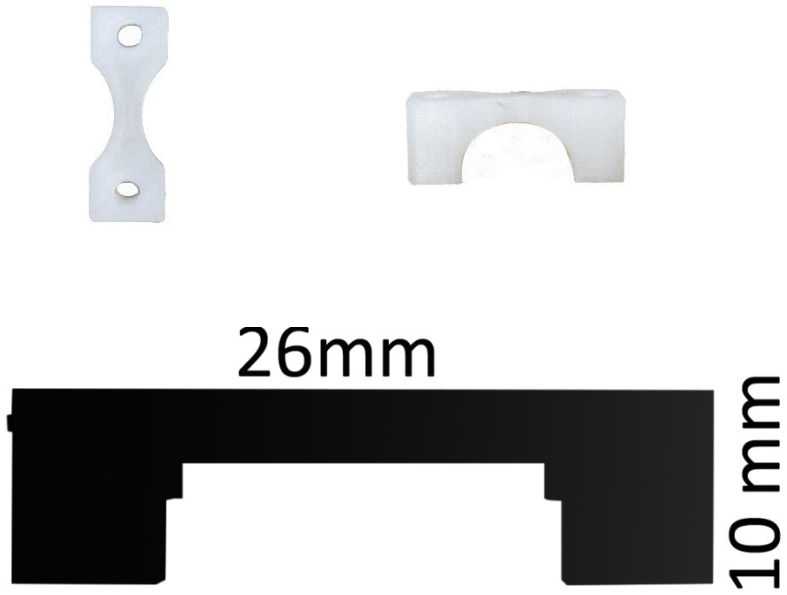


FIG.4

